

## Part-number Description >>

| LAS1           | GQ        | —                               | □   | ■                            | /  | ◇   | /   | ○ | / | △ | / | ▲ |
|----------------|-----------|---------------------------------|---|------------------------------|--|---|---|---|---|---|---|---|
| Code of series | Code name | Contact structure:<br>11 1NO1NC | Operation mode<br>Z Latching type<br>Y key-lock type<br>No letter means momentary | Lamp type<br>D Dot<br>E Ring | Connect type<br>L Screw terminal<br>No letter means pin terminal | Lamp color<br>R Red<br>G Green<br>Y Yellow<br>O Orange<br>B Blue<br>W White | Lamp voltage<br>AC/DC 6V<br>AC/DC 12V<br>AC/DC 24V<br>AC/DC 110V<br>AC/DC 220V<br><b>Note: Other voltage can be made to order</b> |   |   |   |   |   |

Note: Pls read the catalog carefully, and choose the right part-number according to the sign.

## Lamp Ratings >>

| Lamp Type     | LED lamp(AC/DC)  |          |           | Lamp<br>Circuit<br>Diagram |
|---------------|--|----------|-----------|----------------------------|
| Rated Voltage | AC/DC6V  | AC/DC12V | AC/DC110V |                            |
|               | AC/DC24V   | AC/DC36V | AC/DC220V |                            |
| Rated Current | About 15mA   |          | About 3mA |                            |
| LED Color     | <span style="color:red">R</span> <span style="color:green">G</span> <span style="color:yellow">Y</span> <span style="color:orange">O</span> <span style="color:blue">B</span> <span style="color:black">W</span> |          |           |                            |
| Life          | 40000 hours(Reference)   |          |           |                            |

Using AC/DC LED lamp, the terminals have no difference of anode and cathode; Using inner resistance, do not need connect outer resistance.

Note: DC LED and other voltage can be made to order.

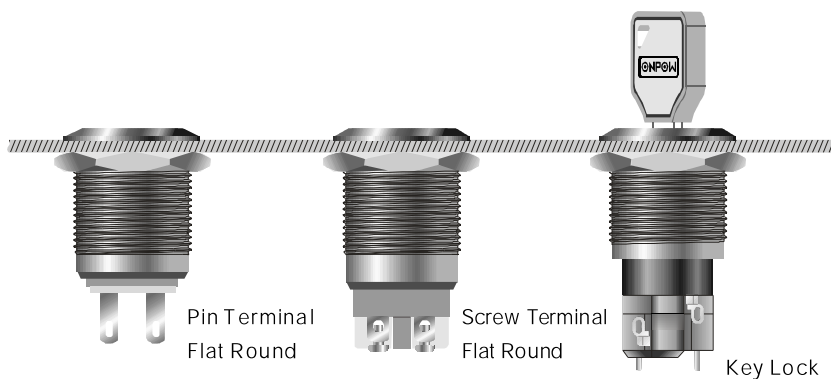
## Switching Operation >>

| Type        | Za   |
|-------------|--|
| Diagram     |  |
| Sign        |  |
| Explanation | Using four terminals, double-break and fast-motion changeover contact. |

## Terminal Description >>

1,2 are normal closed(NC)  
3,4 are normal opened(NO)  
+、- are lamp terminals, the standard LED terminals have no difference of anode and cathode;  
The lamp and switch are relatively independent and can use switch or peripheral circuit to control the lamp state.

## Installation Effect >>

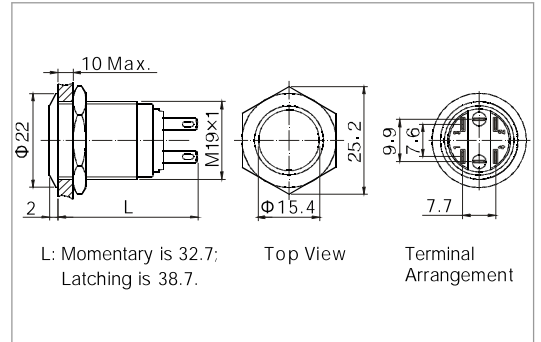


Check the detailed part number from P19

Anti-vandal push button



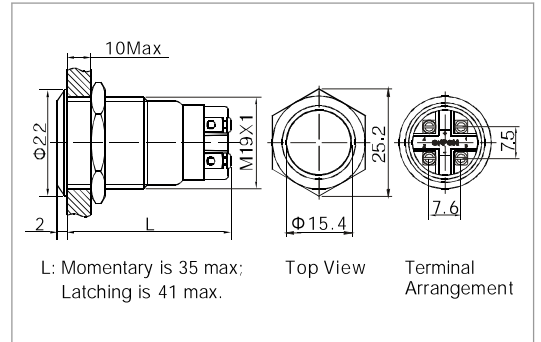
- ⊙ Φ19mm Diameter
- ⊙ Switch Rating: 5A/250VAC
- ⊙ Contact Configuration:1NO1NC
- ⊙ Operation Type: Momentary/Latching
- ⊙ The Crust Material: Stainless Steel
- ⊙ IP Degree:IP65(IP67 Made to order), IK09



Anti-vandal push button



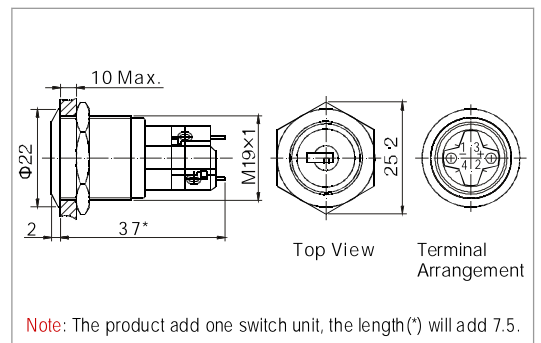
- ⊙ Φ19mm Diameter
- ⊙ Switch Rating: 5A/250VAC
- ⊙ Contact Configuration:1NO1NC
- ⊙ Operation Type: Momentary/Latching
- ⊙ The Crust Material: Stainless Steel
- ⊙ IP Degree:IP65(IP67 Made to order), IK09



Metal key lock switch



- ⊙ Φ19mm Diameter
- ⊙ Switch Rating: 5A/250VAC
- ⊙ Contact Configuration:1NO1NC/2NO2NC
- ⊙ Two Position Maintain
- ⊙ The Crust Material: Stainless Steel
- ⊙ IP Degree:IP40, IK 02

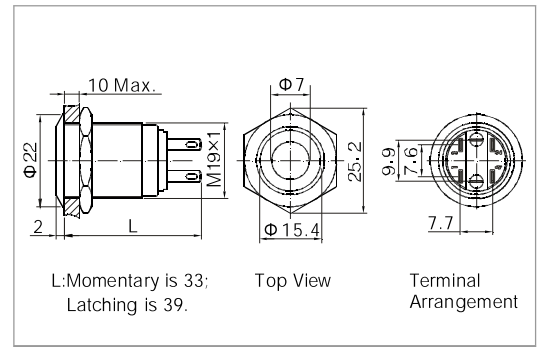


| Specification         | LAS1GQ-11  | LAS1GQ-11/L                                      | LAS1GQ-□Y/2                                      |
|-----------------------|--|--|--|
| The Front Shape       | Flat Round                                       | Flat Round                                       | Round  |
| Terminal Type         | Pin Terminal(2.8×0.5mm)                          | Screw Terminal                                   | Weld Terminal                                    |
| Switching             | Za (double-break fast-motion changeover contact) | Za (double-break fast-motion changeover contact) | Za (double-break fast-motion changeover contact) |
| Max. Switch Rating    | Ith:5A Ui:250VAC                                 | Ith:5A Ui:250VAC                                 | Ith:5A Ui:250VAC                                 |
| Contact Resistance    | ≤50mΩ  | ≤50mΩ  | ≤50mΩ  |
| Insulation Resistance | ≥1000MΩ  | ≥1000MΩ  | ≥1000MΩ  |
| Dielectric Intensity  | 2000VAC  | 2000VAC  | 2000VAC  |
| Operating Temp        | -20℃ ~ +55℃                                      | -20℃ ~ +55℃                                      | -20℃ ~ +55℃                                      |
| Mechanical Life       | 1,000,000 cycles                                 | 1,000,000 cycles                                 | 500,000 cycles                                   |
| Electrical Life       | 50,000 cycles                                    | 50,000 cycles                                    | 50,000 cycles                                    |
| Panel Thickness       | 1 ~ 10mm   | 1 ~ 10mm   | 1 ~ 10mm   |
| Torque                | 5 ~ 14Nm   | 5 ~ 14Nm   | 5 ~ 14Nm   |
| Operation Pressure    | About 4N   | About 4N   | —  |
| Operation Travel      | About 2.5mm                                      | About 2.5mm                                      | 90° two position maintain                        |
| IP Degree             | IP65(IP67 Made to order),IK09                    | IP65(IP67 Made to order),IK09                    | IP40,IK02  |
| Material              | Contact  | Silver Alloy                                     | Silver Alloy                                     |
|                       | Button   | Stainless Steel                                  | Zn - Al Alloy                                    |
|                       | Body   | Stainless Steel                                  | Stainless Steel                                  |
|                       | Base   | PC   | Bakelite   |
|                       | <b>RoHS</b>                                      | Made to order                                    | Made to order                                    |

Anti-vandal dot illuminated push button



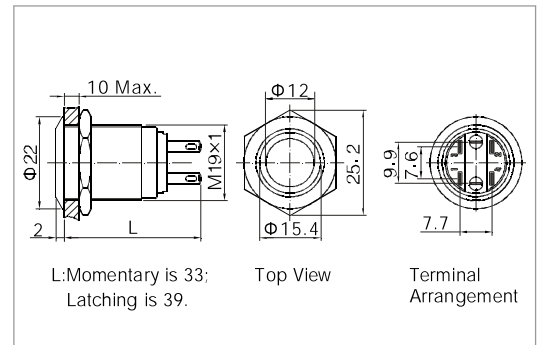
- ⊙ Φ 19mm Diameter
- ⊙ Switch Rating: 5A/250VAC
- ⊙ Contact Configuration: 1NO1NC
- ⊙ Operation Type: Momentary/Latching
- ⊙ The Crust Material: Stainless Steel
- ⊙ Dot Illuminated
- ⊙ IP Degree: IP65(IP67 Made to order), IK09



Anti-vandal ring illuminated push button



- ⊙ Φ 19mm Diameter
- ⊙ Switch Rating: 5A/250VAC
- ⊙ Contact Configuration: 1NO1NC
- ⊙ Operation Type: Momentary/Latching
- ⊙ The Crust Material: Stainless Steel
- ⊙ Ring Illuminated
- ⊙ IP Degree: IP65(IP67 Made to order), IK09



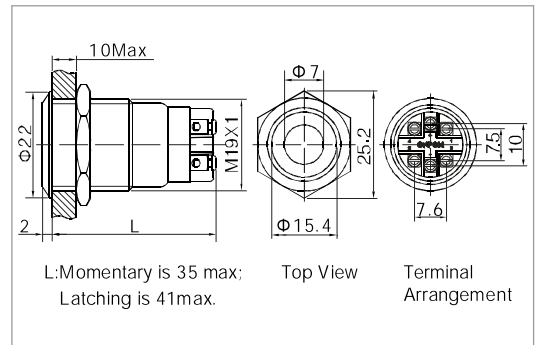
| Specification         | LAS1GQ-11D/Δ/▲                                  | LAS1GQ-11E/Δ/▲  |
|-----------------------|---|---|
| The Front Shape       | Flat Round                                      | Flat Round  |
| Terminal Type         | Pin Terminal(2.8×0.5mm)                         | Pin Terminal(2.8×0.5mm)                               |
| Switching             | Za(double-break fast-motion changeover contact) | Za(double-break fast-motion changeover contact)       |
| Max. Switch Rating    | Ith:5A Ui:250VAC                                | Ith:5A Ui:250VAC                                      |
| Contact Resistance    | ≤50mΩ   | ≤50mΩ   |
| Insulation Resistance | ≥1000MΩ   | ≥1000MΩ   |
| Dielectric Intensity  | 2000VAC   | 2000VAC   |
| Operating Temp        | -20℃ ~ +55℃                                     | -20℃ ~ +55℃   |
| Mechanical Life       | 1,000,000 cycles                                | 1,000,000 cycles                                      |
| Electrical Life       | 50,000 cycles                                   | 50,000 cycles   |
| Panel Thickness       | 1 ~ 10mm  | 1 ~ 10mm  |
| Torque                | 5 ~ 14Nm  | 5 ~ 14Nm  |
| Operation Pressure    | About 4N  | About 4N  |
| Operation Travel      | About 2.5mm                                     | About 2.5mm   |
| IP Degree             | IP65(IP67 Made to order),IK09                   | IP65(IP67 Made to order),IK09                         |
| Material              | Contact   | Silver Alloy  |
|                       | Button  | Stainless Steel                                       |
|                       | Body  | Stainless Steel                                       |
|                       | Base  | PC  |
|                       | RoHS  | Made to order   |
| LED                   | Type  | Dot Illuminated(LED)                                  |
|                       | Rated Voltage                                   | 6V / 12V / 24V / 110V / 220V                          |
| Spec.                 | Color   | <b>R</b> <b>G</b> <b>Y</b> <b>O</b> <b>B</b> <b>W</b> |
|                       | Life  | 40000 hours   |

Check the detailed part number from P19

Anti-vandal dot illuminated push button



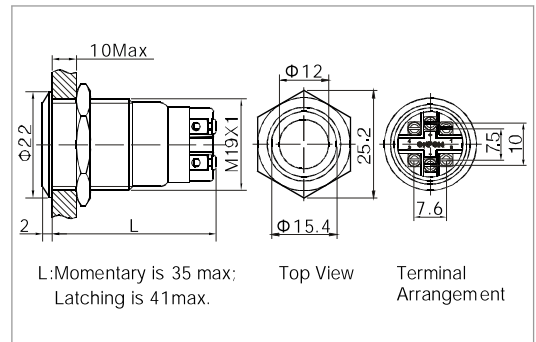
- ⊙ Φ 19mm Diameter
- ⊙ Switch Rating: 5A/250VAC
- ⊙ Contact Configuration: 1NO1NC
- ⊙ Operation Type: Momentary/Latching
- ⊙ The Crust Material: Stainless Steel
- ⊙ Dot Illuminated
- ⊙ IP Degree: IP65(IP67 Made to order), IK09



Anti-vandal ring illuminated push button



- ⊙ Φ 19mm Diameter
- ⊙ Switch Rating: 5A/250VAC
- ⊙ Contact Configuration: 1NO1NC
- ⊙ Operation Type: Momentary/Latching
- ⊙ The Crust Material: Stainless Steel
- ⊙ Ring Illuminated
- ⊙ IP Degree: IP65(IP67 Made to order), IK09



| Specification         | LAS1GQ-11D/L/Δ/▲                                | LAS1GQ-11E/L/Δ/▲                                      |
|-----------------------|---|---|
| The Front Shape       | Flat Round                                      | Flat Round  |
| Terminal Type         | Screw Terminal                                  | Screw Terminal  |
| Switching             | Za(double-break fast-motion changeover contact) | Za(double-break fast-motion changeover contact)       |
| Max. Switch Rating    | Ith:5A Ui:250VAC                                | Ith:5A Ui:250VAC                                      |
| Contact Resistance    | ≤50mΩ   | ≤50mΩ   |
| Insulation Resistance | ≥1000MΩ   | ≥1000MΩ   |
| Dielectric Intensity  | 2000VAC   | 2000VAC   |
| Operating Temp        | -20°C ~ +55°C                                   | -20°C ~ +55°C   |
| Mechanical Life       | 1,000,000 cycles                                | 1,000,000 cycles                                      |
| Electrical Life       | 50,000 cycles                                   | 50,000 cycles   |
| Panel Thickness       | 1 ~ 10mm  | 1 ~ 10mm  |
| Torque                | 5 ~ 14Nm  | 5 ~ 14Nm  |
| Operation Pressure    | About 4N  | About 4N  |
| Operation Travel      | About 2.5mm                                     | About 2.5mm   |
| IP Degree             | IP65(IP67 Made to order),IK09                   | IP65(IP67 Made to order),IK09                         |
| Material              | Contact   | Silver Alloy  |
|                       | Button  | Stainless Steel                                       |
|                       | Body  | Stainless Steel                                       |
|                       | Base  | PA  |
|                       | RoHS  | Made to order   |
| LED                   | Type  | Dot Illuminated(LED)                                  |
|                       | Rated Voltage                                   | 6V / 12V / 24V / 110V / 220V                          |
| Spec.                 | Color   | <b>R</b> <b>G</b> <b>Y</b> <b>O</b> <b>B</b> <b>W</b> |
|                       | Life  | 40000 hours   |