



1/32 DIN  
24mm x 48mm

## FEATURES

- 8 Digit LCD Counter
- Self Powered
- Long battery Life
- Contact / Voltage Input
- Back Light

## TECHNICAL SPECIFICATIONS

### INPUT SPECIFICATIONS

Input Type	a) 24 to 260V AC/DC b) Contact input
Input Speed	a) 14Hz b) 100Hz
Reset	Front , Remote

### FUNCTIONAL SPECIFICATIONS

Range	99999999 counts
Counting Direction	Up
Memory	Yes

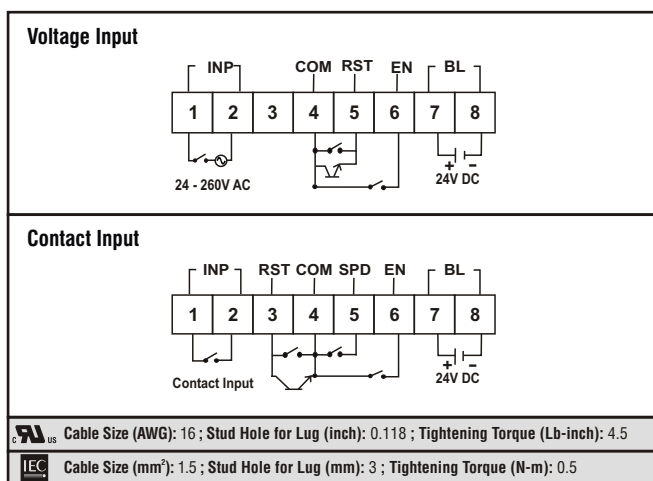
### GENERAL SPECIFICATIONS

Supply Voltage	Battery powered
Auxiliary Supply (Back Light)	24V DC (external)
Temperature	Operating: 0 to 50°C (32 to 122°F) Storage: -20 to 75°C (-4 to 167°F)
Humidity (non-condensing)	95% RH
Weight	40 g (0.088 lbs)
Protection Level	IP40 for faceplate

## ORDERING INFORMATION

Part No.	Input Type		Back Light
	Contact	Voltage	
LXC900-C	▪		
LXC900-V		▪	
LXC910-C	▪		▪
LXC910-V		▪	▪

## TERMINAL CONNECTIONS



## DIMENSIONS

